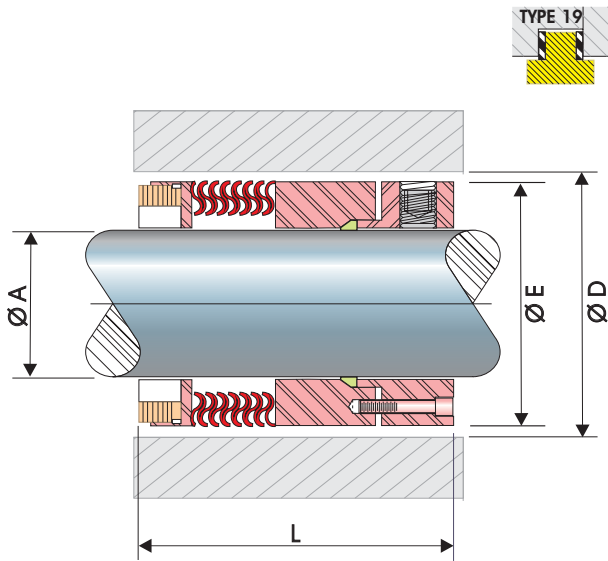


# LINE "60"



## CHARACTERISTICS

### Dimensions

MEASURE	A	D	E	L
Size	±0.002	Min.	Máx.	±0.010
16	1.000	1.687	1.562	1.687
18	1.125	1.812	1.687	1.562
20	1.250	1.937	1.812	1.687
22	1.375	2.062	1.937	1.750
24	1.500	2.295	2.170	1.750
26	1.625	2.420	2.295	1.750
28	1.750	2.545	2.420	1.750
30	1.875	2.670	2.545	1.750
32	2.000	2.795	2.670	1.750
34	2.125	2.920	2.795	1.750
36	2.250	3.045	2.920	1.875
38	2.375	3.170	3.045	1.875
40	2.500	3.312	3.187	1.875
42	2.625	3.437	3.312	1.875
44	2.750	3.687	3.437	1.875
46	2.875	3.750	3.625	1.875
48	3.000	3.875	3.750	1.875
50	3.125	4.000	3.875	1.875
52	3.250	4.125	3.875	1.875
54	3.375	4.250	4.125	1.875
56	3.500	4.375	4.250	1.875
58	3.625	4.500	4.375	1.875
60	3.750	4.625	4.500	1.875
62	3.875	4.750	4.625	1.875
64	4.000	4.875	4.750	1.875

NOTE: All measurements are in inches.

### Applications:

VAZEL mechanical seal Line "60" is mainly used to operate fluids derivative of the oil or fluids of heat transference, that are handled in the Chemical, Petrochemical and Refinery Industry, among other industries.

### Design:

Mechanical seal with metallic bellow, hydraulically balanced, with a secondary seal made of packing exfoliated graphite (Grafoil®) for high temperatures and an insert type contact face.

### Materials:

	1	Metallic parts.....	42 Carpenter®, 316 Stainless Steel
	2	Springs.....	Alloy AM-350®
	3	Faces.....	Graphite Carbon, Tungsten Carbide, Silicon Carbide
	4	Packing.....	Exfoliated Graphite (Grafoil®)
	5	Seat.....	Tungsten Carbide, Silicon Carbide

### INSTALLATION CRITERIA & OPERATIONAL LIMITS

SHAFT	LIMITS
SURFACE FINISH	32 a 63 Ra
OUT OF ROUNDNESS	± 0.051mm / 0.002"
EXTREME AXIAL MOVEMENT	± 0.013mm / 0.005"
OPERATION	LIMITS
SHAFT SPEED	3,600 RPM*
PRESSURE	300 PSI (21.1 kg/cm²)

\*Depending on shaft's diameter

### TEMPERATURE LIMITS

